

## SYSTEM FEATURES



- Provides surge protection against harmful transient voltages that exceed the nominal operating voltage of AC and DC critical dedicated control loads
- Ideal for protecting the PLC's, Building management systems, OEM & systems integration controls and other microprocessor-based loads
- Compact, fail-safe design allows flexible installation into electrical/control panels
- Dual Component-Level Fusing (CLF) standard
- Enhanced Transient Filter (ETF) standard
- 15-year Unlimited Free Replacement Warranty
- Reduce lockups, glitches and reprogramming issues

## PRODUCT SPECIFICATIONS

### GENERAL SPECIFICATIONS

**Maximum Rated Surge Current:** 40kA per phase

**Application:** ANSI.IEEE C62.41 Location C, B & A

**Design:** Ultra compact, fail-safe design with dual component-level fusing

**Warranty:** 15-Year Unlimited Free Replacement

**Safety Listing:** ETL recognized component under UL 1449 4th Edition as a type 4 SPD, cETL, and under UL1283 as an electromagnetic filter.

### ELECTRICAL SPECIFICATIONS

**Input Power Frequency:** 47-64Hz

**Maximum Continuous Operating Current:** 30 amps

**Modes of Discrete Suppression Circuitry:**  
All modes L-N, L-G & N-G

**Response Time:** < 1 nanosecond

**Standard Monitoring:** Status indicating light

**Short Circuit Current Rating:** 100kAIC short circuit current rating with a 30 amp max Class T fuse, and 5kAIC with a 30 amp breaker.

### MECHANICAL SPECIFICATIONS

**Dimensions:** 3.94"L x 2.80"W x 2.28"H

**Enclosure:** Polycarbonate Rated V0

**Connection Method:** Hard-wired via box terminals #16AWG - #8 AWG

**Mounting Method:** Screw down or Din-Rail mounted.

**Operating Temperature:** -40° C to 85° C (-40° F to 185° F)

**Weight:** 1.00 lbs. (0.45 kg)

### Options:

Dry Relay Contacts: add suffix "-R". Form C (N/O, N/C) relay contacts rated at 1 amp at 120VAC



### LTE PERFORMANCE SPECIFICATIONS

ANSI/IEEE C62.41.1-2002, C62.41.2-2002, & C62.45-2002 Measured Limited Voltage

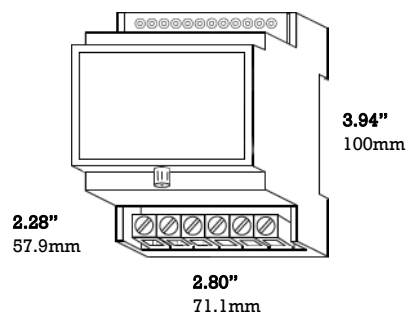
Model Number (Working Voltage)	Mode	A1 Ring Wave	A3 Ring Wave	B3/C1
		2kV, 67A 180° Phase Angle	6kV, 200A 180° Phase Angle	Impulse Wave 6kV, 3kA 90° Phase Angle
TK-LTE120-30A-DIN2 (48-150 VAC) (48-200 VDC)	L-N	28V	108V	444V
	L-G	28V	104V	440V
	N-G	24V	100V	456V
TK-LTE250-30A-DIN2 (120-260 VAC) (120-300 VDC)	L-N	28V	96V	744V
	L-G	32V	96V	828V
	N-G	28V	100V	772V

All voltages are peak values (+10%) from the zero reference point at the phase angles referenced above using a 10 µs/div display rate and 500MS/s sampling rate. Specifications subject to change without notice, see web site [www.tpssurge.com](http://www.tpssurge.com) for latest revisions.

### EMI/RFI FILTER ATTENUATION—MIL STANDARD

Frequency	Attenuation
1kHz	2dB
10kHz	13dB
100kHz	31dB
1MHz	32dB
10MHz	20dB
20MHz	15dB
Max. attenuation	33dB @ 500kHz

All measurements in inches [mm]



### For Technical Support

TEL: 800.647.1911 [www.TPSSurge.com](http://www.TPSSurge.com)  
P.O. Box 3760 Winter Park, FL 32790