

SYSTEM FEATURES



- Protects sensitive electronic and electrical equipment against the harmful effects of lightning strikes and internally generated electrical transients
- Includes pre-wired pigtail conductors to streamline installation
- Fail-safe design
- Component Level Fusing (CLF) provides over-current plus thermal protection for added safety
- UL 1449 4th Edition
- Small, compact footprint - makes installation flexible
- 10-Year Unlimited Free Replacement Warranty
- Perfect for OEM applications

PRODUCT SPECIFICATIONS

GENERAL SPECIFICATIONS

Maximum Rated Surge Current: 50kA /phase
Application: ANSI/IEEE C62.41 Location C, B & A. Ideal for service entrance and branch panel applications
Design: Ultra compact, fail-safe design. Component-level fusing provides thermal and overcurrent protection.
Warranty: 10-Year Unlimited Free Replacement
Safety Listing: UL 1449 4th Ed., Type 1 SPD for Type1 & Type 2 locations. No external overcurrent protection required.
 Nominal Discharge Surge Current I_n : 20kA
 ✓ RoHS Compliant

ELECTRICAL SPECIFICATIONS

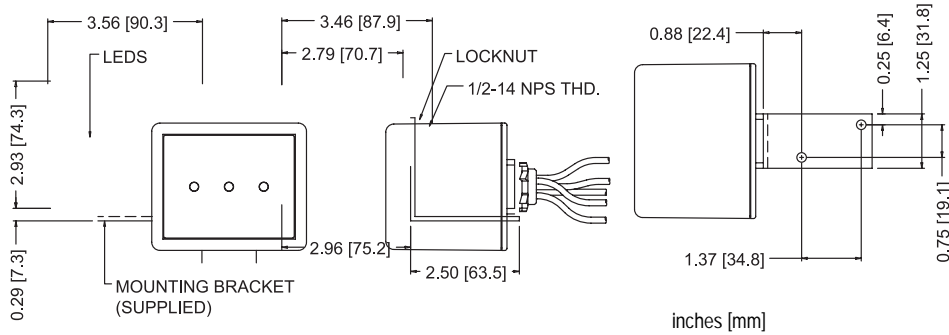
Modes of Protection: All modes: L-N, L-L, L-G & N-G
 Discreet protection: WYE L-N & N-G, DELTA L-G & L-L
Input Power Frequency: 40-68 Hz
Response Time: < 1 nanosecond
Standard Monitoring: Status indicator light (one per phase)
Short Circuit Current Rating (SCCR): 100kAIC for all units.
 Type 1 SPD's do not require any upstream over current protection, so unit can be installed direct to the bus or on any size breaker or fuse.

MECHANICAL SPECIFICATIONS

Dimensions: 2.93"H x 3.56"W x 2.79"D (74.3mm H x 90.3mm W x 70.7mm D)
Enclosure: High-impact non-metallic Nema 4X
Connection: Pre-wired with 33" (838 mm) of #12 AWG (3.31 mm²) conductor
Mounting: Comes with a threaded 1/2" (15 mm) hub for easy knockout mounting or L-shaped bracket for stand-alone wall mounting
Operating Environment: -40° C to 70° C (-40° F to 160° F); 5% to 95% non-condensing humidity
Weight: 2.00 lbs (0.90kg)

PANELTRACK STANDARD

Model Number	Description	SPD Type 1	Surge Rating
TK-PK050-1P120-L	120VAC, 1 ϕ 2-wire + grd	1	50kA/phase
TK-PK050-1P240-L	240VAC, 1 ϕ 2-wire + grd	1	50kA/phase
TK-PK050-1P277-L	277VAC, 1 ϕ 2-wire + grd	1	50kA/phase
TK-PK050-1S240-L	120/240VAC, 1 ϕ 3-wire + grd	1	50kA/phase
TK-PK050-1S480-L	277/480VAC, 2 ϕ 3-wire + grd	1	50kA/phase
TK-PK050-3Y208-L	120/208VAC, 3 ϕ 4-wire + grd	1	50kA/phase
TK-PK050-3Y380-L	220/380VAC, 3 ϕ 4-wire + grd	1	50kA/phase
TK-PK050-3Y400-L	230/400VAC, 3 ϕ 4-wire + grd	1	50kA/phase
TK-PK050-3Y415-L	240/415VAC, 3 ϕ 4-wire + grd	1	50kA/phase
TK-PK050-3Y480-L	277/480VAC, 3 ϕ 4-wire + grd	1	50kA/phase
TK-PK050-3Y600-L	347/600VAC, 3 ϕ 4-wire + grd	1	50kA/phase
TK-PK050-3D240-L	120/240VAC, 3 ϕ high - leg DELTA 4-wire + grd	1	50kA/phase
TK-PK050-240NN-L	240VAC, 3 ϕ 3-wire + grd	1	50kA/phase
TK-PK050-380NN-L	380VAC, 3 ϕ 3-wire + grd	1	50kA/phase
TK-PK050-400NN-L	380VAC, 3 ϕ 3-wire + grd	1	50kA/phase
TK-PK050-480NN-L	480VAC, 3 ϕ 3-wire + grd	1	50kA/phase
TK-PK050-600NN-L	600VAC, 3 ϕ 3-wire + grd	1	50kA/phase



AVAILABLE CONFIGURATIONS

ANSI/IEEE C62.41.1-2002, C62.41.2-2002, & C62.45-2002

Model Number	System Voltage	System Configuration	Surge Rating per phase	Protection Mode	MCOV	Measured Limited Voltage			VPR Data
						A3 Ring Wave 6kV, 200A 90° Phase	B3/C1 Impulse Wave 6kV, 3kA 90° Phase	C3 Impulse Wave 20kV, 10kA 90° Phase	UL1449 4th Ed. Voltage Protection Ratings
						Angle	Angle	Angle	
TK-PK050-1P120-L	120V	1-Phase 2-wire+grnd	50kA	L-N	150	374	629	1015	700
				N-G	150	476	650	1110	700
TK-PK050-1P240-L	240V	1-Phase 2-wire+grnd	50kA	L-N	320	760	1020	1330	1200
				N-G	320	767	1020	1400	1200
TK-PK050-1P277-L	277V	1-Phase 2-wire+grnd	50kA	L-N	320	767	1020	1350	1200
				N-G	320	774	1070	1370	1200
TK-PK050-1S240-L	120/240V	1-Phase 3-wire+grnd	50kA	L-N	150	374	629	1015	700
				N-G	150	476	650	1110	700
TK-PK050-1S480-L	277/480V	2-Phase 3-wire+grnd	50kA	L-N	320	767	1020	1350	1200
				N-G	320	774	1070	1370	1200
TK-PK050-3Y208-L	120/208V	3-Phase WYE 4-wire+grnd	50kA	L-N	150	450	629	953	700
				N-G	150	423	650	950	700
TK-PK050-3Y380-L	220/380V	3-Phase WYE 4-wire+grnd	50kA	L-N	320	762	1020	1350	1200
				N-G	320	793	1070	1370	1200
TK-PK050-3Y400-L	230/400V	3-Phase WYE 4-wire+grnd	50kA	L-N	320	762	1020	1350	1200
				N-G	320	793	1070	1370	1200
TK-PK050-3Y415-L	240/415V	3-Phase WYE 4-wire+grnd	50kA	L-N	320	767	1020	1350	1200
				N-G	320	774	1070	1370	1200
TK-PK050-3Y480-L	277/480V	3-Phase WYE 4-wire+grnd	50kA	L-N	320	767	1020	1350	1200
				N-G	320	774	1070	1370	1200
TK-PK050-3Y600-L	347/600V	3-Phase WYE 4-wire+grnd	50kA	L-N	420	790	1260	1690	1500
				N-G	420	798	1280	1680	1500
TK-PK050-3D240-L	120/240V	3-Phase high-leg DELTA 4-wire+grnd	50kA	L-N	150	550	680	1073	700
				H-N	320	793	1070	1370	1200
				N-G	150	550	680	1073	700
TK-PK050-240NN-L	240V	3-Phase DELTA 3-wire+grnd	50kA	L-L	300	778	1020	1540	1200
				L-G	300	799	1020	1587	1200
TK-PK050-380NN-L	380V	3-Phase DELTA 3-wire+grnd	50kA	L-L	640	1553	1737	2957	2000
				L-G	640	1600	2070	2983	2500
TK-PK050-400NN-L	400V	3-Phase DELTA 3-wire+grnd	50kA	L-L	640	1553	1737	2957	2000
				L-G	640	1600	2070	2983	2500
TK-PK050-480NN-L	480V	3-Phase DELTA 3-wire+grnd	50kA	L-L	640	1553	1791	2457	2000
				L-G	640	1600	1920	2483	2500
TK-PK050-600NN-L	600V	3-Phase DELTA 3-wire+grnd	50kA	L-L	840	1765	2200	2643	2500
				L-G	840	1835	2590	2657	3000

All tests performed with 6" (152 mm) lead length, positive polarity. All voltages are peak values (±10%) measured from the zero reference point at the phase angles referenced above using a 10 μs/div display rate and 500 Mega samples/sec sampling rate. Specifications subject to change without notice. See web site www.TPSSurge.com for latest revisions.