

**SYSTEM FEATURES**



**Medium Voltage Parallel-connected Suppressor designed for Petroleum and Mining Industry, and other Large Industrial & Heavy Duty Applications at Service Entrance, Distribution and Individual Equipment**

- Low clamping voltage for maximum equipment protection
- Parallel design MOV suppression allows installation flexibility
- Bi-directional operation for positive & negative surges
- Solid state, fully automatic action & reset
- Intended for High Energy applications including all IEEE C62.41.2 Category A, B & C High Applications
- External Mounting Tabs

**PRODUCT SPECIFICATIONS**

**GENERAL SPECIFICATIONS**

Maximum Surge Current: 160kA / phase; 80kA / mode Design:  
 Optimum performing parallel connection  
 • Large block MOV Technology  
 • L-L & L-G MOV suppression elements  
 ANSI/IE EE C62.11  
 Warranty: Five Year Warranty on suppression module . One Year Warranty on parts and workmanship on optional fuse module and indicator lights.  
 Every unit Tested Prior to Shipment  
 Made in USA

**ELECTRICAL SPECIFICATIONS**

Surge Capacity:           L-G     L-L  
 160kA per phase       80kA   80kA  
 Operating Frequency: 40 to 440Hz  
 Protection Modes: All Modes L-L & L-G (Normal Mode & Common Mode)  
 MOV response time: <1 Nanosecond  
 Interrupt Rating: 50kA

**MECHANICAL SPECIFICATIONS**

Dimensions (approx):14"H x 12"W x 6"D (357mm H x 305mm W x 153mm D)  
 Enclosure: NEMA 4X UL94-5VA and UL94V-0 polycarbonate non-conductive.  
 Connection: Pre-wired with 48" wires of #6 AWG (includes pre-installed 1½" Myers hub)  
 Operating Temperature: -40°F to +160°F (-40°C to +70°C)  
 Relative Humidity Range: 0-100% Non-Condensing  
 Weight: Approximately 30lbs (13.6kg)

**AVAILABLE CONFIGURATIONS**

Model Number	Description
TK-TTMV160-1500NN	160kA - 1500V 3 phase Delta
TK-TTMV160-2400NN	160kA - 2400V 3 phase Delta
TK-TTMV160-4160NN	160kA - 4160V 3 phase Delta

Custom applications available; call for information

Model Number	MCOV
TK-TTMV160-1500NN	1900V
TK-TTMV160-2400NN	3000V
TK-TTMV160-4160NN	5000V

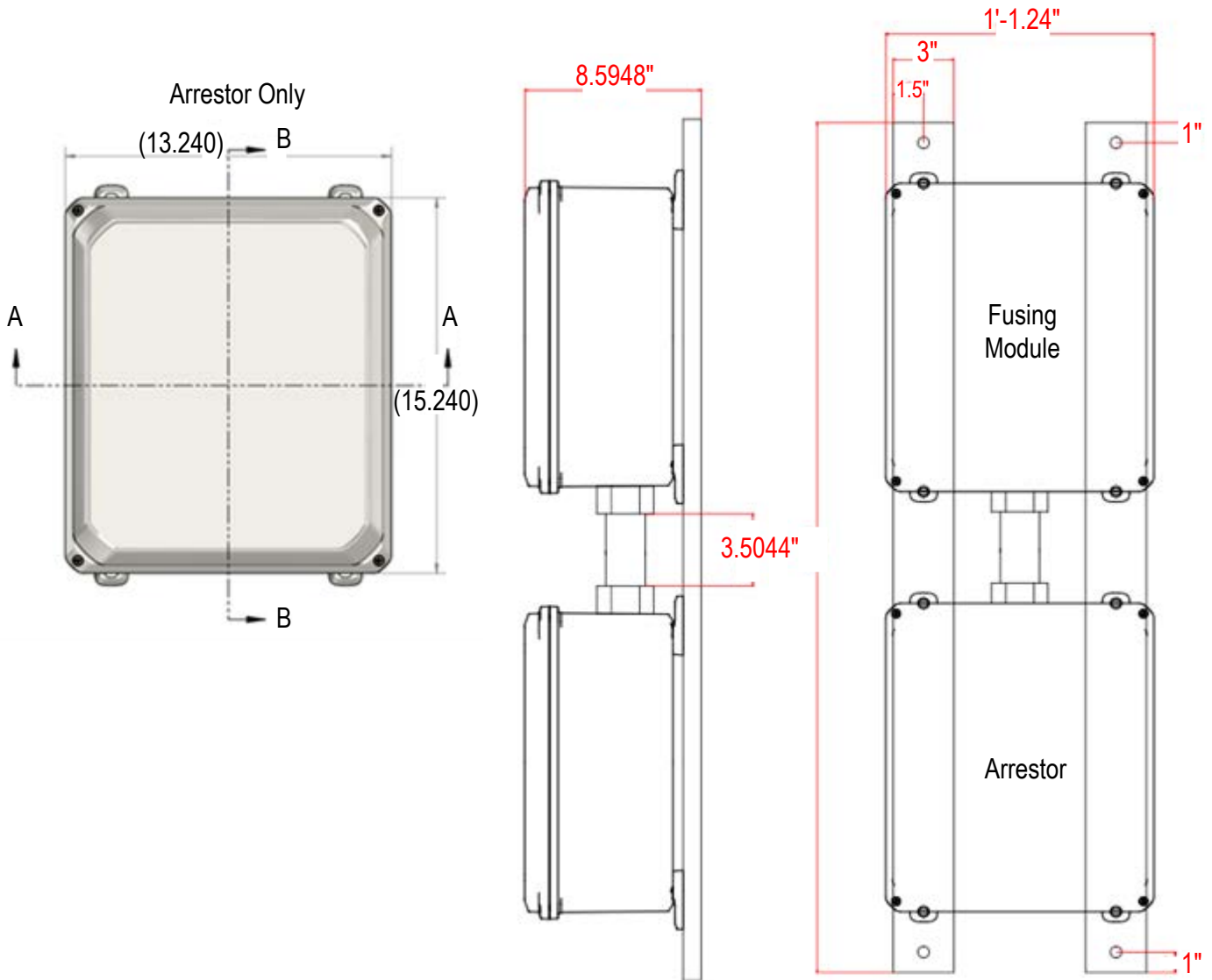
**SAFETY FEATURES**

Fusing: Coordinate to electrical system. Breakers or fuses required. Optional Fuse Module.  
 See installation instructions.  
 High Voltage warning labels standard.

**AVAILABLE OPTIONS**

Fuse module: add suffix "-M"  
 60" stranded wire leads: add suffix "-60"  
 LED status indicators (only available with Fuse Module): add suffix "-LED"  
 Clear lid for fuse module (needed to view LED indicator lights): add suffix "-C"  
 Mounting bracket attaches fuse module & Surge unit to a rail for easier installation: add suffix "-B"

**MECHANICAL DRAWING**



All Dimensions in Inches (approx.):

Overall Assembled Dimensions  
 All holes are 9/16 inch dia.  
 Dimensions are in inches  
 Conduit is 1 1/2" dia.

Specifications subject to change without notice. ©2026 Total Protection Solutions, LLC  
 www.tpssurge.com

**Total Protection Solutions, LLC**  
 P.O. Box 3760  
 Winter Park, FL 32790  
 (800) 647-1911  
 TransTrack<sup>®</sup> is a registered trademark of  
 Total Protection Solutions, LLC