

SYSTEM FEATURES



Medium Voltage Parallel-connected Suppressor designed for Petroleum and Mining Industry, and other Large Industrial & Heavy Duty Applications at Service Entrance, Distribution and Individual Equipment

- Low clamping voltage for maximum equipment protection
- Parallel design MOV suppression allows installation flexibility
- Bi-directional operation for positive & negative surges
- Solid state, fully automatic action & reset
- Intended for High Energy applications including all IEEE C62.41.2 Category A, B & C High Applications
- Includes pre-installed 1½" Myers hub
- External Mounting Tabs

PRODUCT SPECIFICATIONS

GENERAL SPECIFICATIONS

Maximum Surge Current: 160kA / phase; 80kA / mode Design:
 Optimum performing parallel connection
 • Large block MOV Technology
 • L-L & L-G MOV suppression elements
 ANSI/IE EE C62.11
 Warranty: Five Year Warranty on suppression module . One Year Warranty on parts and workmanship on optional fuse module and indicator lights.
 Every unit Tested Prior to Shipment
 Made in USA

ELECTRICAL SPECIFICATIONS

Surge Capacity: L-G L-L
 160kA per phase 80kA 80kA
 Operating Frequency: 40 to 440Hz
 Protection Modes: All Modes L-L & L-G
 (Normal Mode & Common Mode
 MOV response time: <1 Nanosecond
 Interrupt Rating: 50kA

MECHANICAL SPECIFICATIONS

Dimensions (approx):14"H x 12"W x 6"D
 (357mm H x 305mm W x 153mm D)
 Enclosure: NEMA 4X Composite
 Connection: Pre-wired with 48" wires of #6 AWG
 (includes pre-installed 1½" Myers hub)
 Operating Temperature: -40°F to +160°F (-40°C to +70°C)
 Relative Humidity Range: 0-100% Non-Condensing
 Weight: 30lbs (13.6kg)

AVAILABLE CONFIGURATIONS

Model Number	Description
TK-TTMV160-2400NN	160kA - 2400V 3 phase Delta
TK-TTMV160-4160NN	160kA - 4160V 3 phase Delta
Custom applications available; call for information	

Model Number	MCOV
TK-TTMV160-2400NN series	3000V
TK-TTMV160-4160NN series	5000V

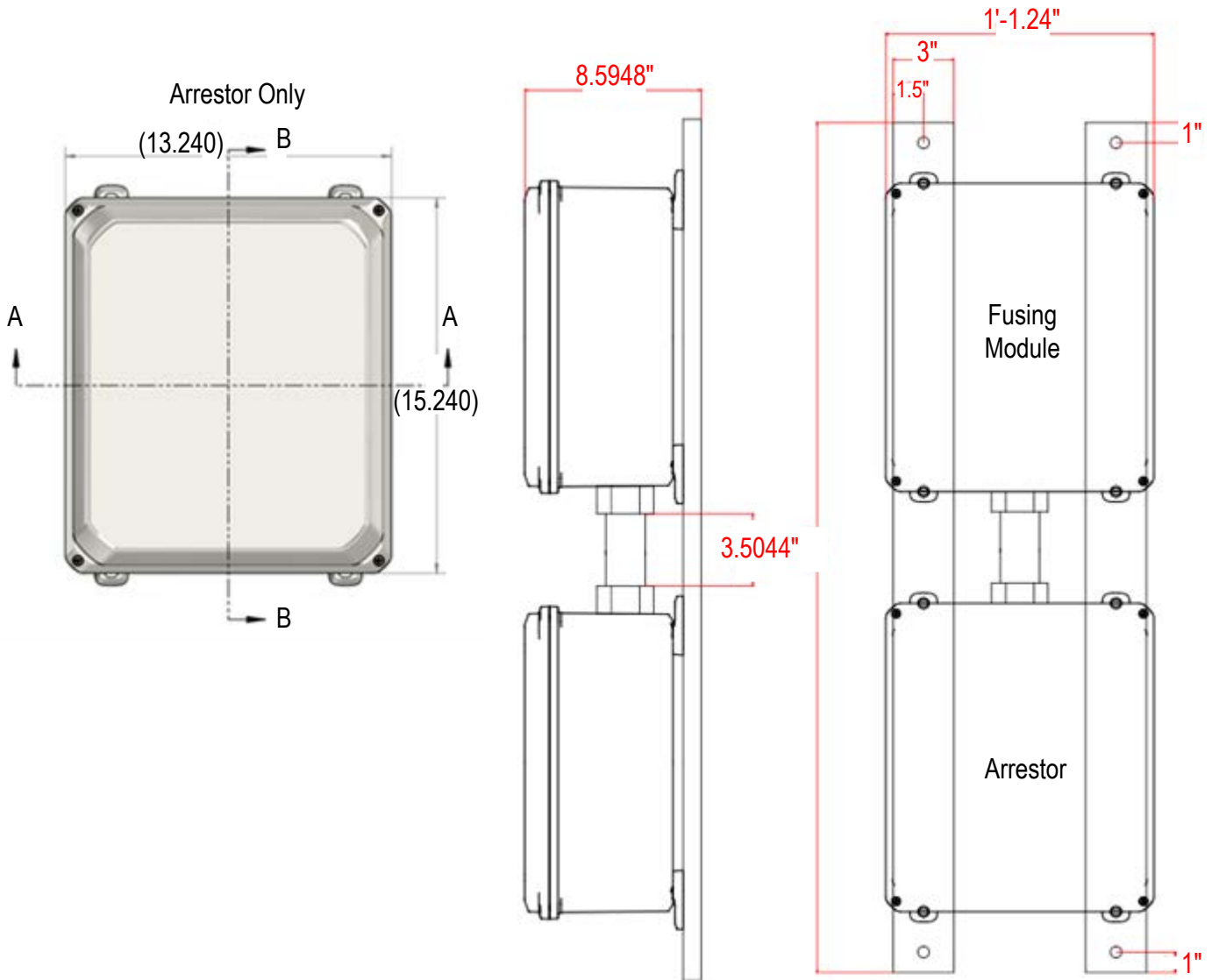
SAFETY FEATURES

Fusing: Coordinate to electrical system. Breakers or fuses required. Optional Fuse Module.
 See installation instructions.
 High Voltage warning labels standard.

AVAILABLE OPTIONS

Fuse module: add suffix "-M"
 60" stranded wire leads: add suffix "-60"
 LED status indicators (only available with Fuse Module):
 add suffix "-LED"
 Clear lid for fuse module (needed to view LED indicator lights):
 add suffix "-C"

MECHANICAL DRAWING



All Dimensions in Inches (approx.):

Overall Assembled Dimensions
 All holes are 9/16 inch dia.
 Dimensions are in inches
 Conduit is 1 1/2" dia.