

## WARRANTY STATEMENT

---

During the applicable warranty period, any Total Protection Solutions™ surge protector device which fails due to defect in materials, workmanship, or any transient surge event, including lightning, shall be repaired or replaced at TPS's discretion without charge. The applicable warranty period for the TPS surge protective device is outlined below in the War-ranty Period section. The warranty period for any repaired devices or replacement devices will be only the remaining portions of the original limited warranty.

Within a reasonable time, but in no case to exceed forty-five (45) days, user shall contact Company's customer service department and obtain a Return Material Authorization (RMA) before returning any products. User shall ship the product(s), with proof of purchase, to Company freight prepaid.

The Company shall have no liability under this warranty for problems or defects directly or indirectly caused by misuse of the Product, alteration of the Product (including removal of any warning labels), accidents, improper installation, application, operation or improper repair of the Product.

THIS WARRANTY REPRESENTS THE ENTIRE WARRANTY OF THE COMPANY. ALL OTHER WARRANTIES EXPRESS OR IMPLIED, ORAL OR WRITTEN, INCLUDING, BUT NOT LIMITED TO, THE WARRANTIES OF MERCHANT ABILITY AND FITNESS FOR A PARTICULAR PURPOSE ARE HEREBY DISCLAIMED.

The liability of the Company, at its sole option, under this warranty is expressly limited to the replacement or repair of the defective part thereof. IN NO EVENT SHALL THE COMPANY BE LIABLE OR RESPONSIBLE FOR SPECIAL, INCIDENTAL, OR CONSEQUENTIAL DAMAGES OF ANY KIND OR CHARACTER, NOR SHALL ITS LIABILITY EVER EXCEED THE PURCHASE PRICE PAID TO COMPANY FOR SUCH DEFECTIVE PRODUCT.

This warranty is not transferable and may only be enforced by the original purchaser. Claims under this warranty must be submitted to Total Protections Solutions, LLC. within thirty (30) days of discovery of any suspected product defect.

Warranty Period  
TK-LPP

Ten Years Unlimited Free Replacement

## SAVE THESE INSTRUCTIONS

---

Note: If devices are received damaged, notify the shipping company immediately. Retain containers and packing materials for inspection.

Total Protection Solutions, LLC.  
P.O. Box 3760, Winter Park FL 32790  
TEL:800-647-1911 [www.TPSSurge.com](http://www.TPSSurge.com)

In Canada: (800)853-8265  
[www.tpscanada.ca](http://www.tpscanada.ca)



---

# Light Pole Protector - Model LPP

**Surge  
Protection  
Device**

---

**LPP Light Pole Protector**

**Installation  
Operation and  
Maintenance  
Manual**

## CAUTION - IMPORTANT SAFETY INSTRUCTIONS

1. Never install during a lightning storm.
2. This product is for use as a primary protector for the circuit.
3. NRR Series of suppressors are intended for use as primary protectors for the circuit.
4. Read and understand all instructions prior to installation and operation.

## INSTALLATION

The NRR Series of products is easy to install. The following instructions clearly explain each step:

### NOTES

1. Installing electrician must meter pole circuit voltage to insure proper LPP model is applied to correct circuit voltage.
2. See LPP Data Sheet to identify correct model and applied operating voltage. Make sure you follow the installation instructions exactly; if the suppressor is improperly installed, warranty may be void.

### INSTALLATION INSTRUCTIONS

1. Insure the circuit to the light pole(s) is turned off. Test with a volt meter to insure the circuit is de-energized before attempting to install the LPP.
2. Connect the Hot, Neutral and Ground conductors (for 120 & 277-volt circuits) or, Hot, Hot & Ground conductors (for 240 & 480-volt circuits) of the LPP to the terminal lugs inside the light pole. Cut hot, neutral and ground conductors so they are as short as possible from the LPP to the connection point, to improve protection performance.
3. Drill a 1/4" hole in the hand-hole access cover and firmly press the remote LED indicator light into the 1/4" opening.
4. Once installation is complete, re-energize light pole circuit and check to see that remote status indicator light is on

## GROUNDING

The unit's ground must be connected to the ground reference used by the system being protected. Ground leads longer than 12" are not recommended.

### \* PERFORMANCE NOTE \*

The Grounding, Hot and Neutral (where applicable) wires must be as short as possible.

## INDEPENDENT GROUNDS

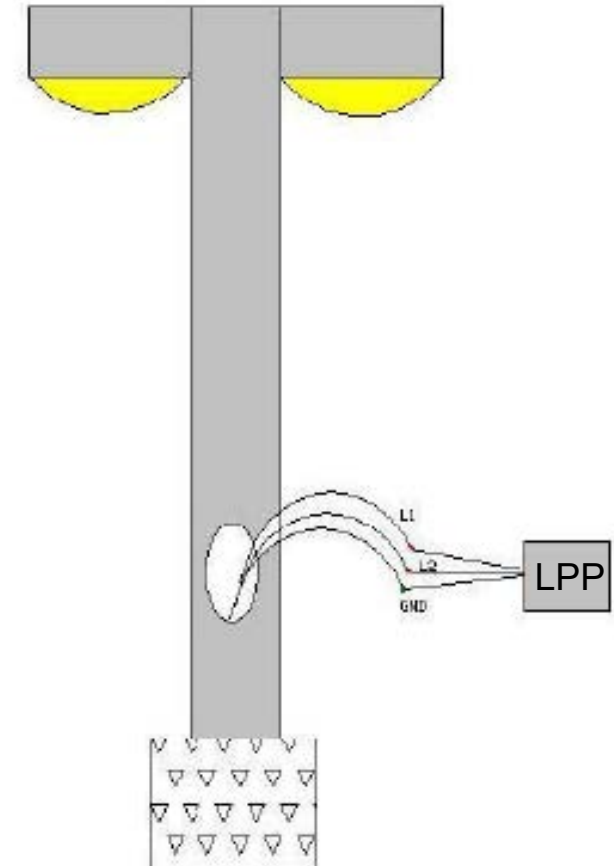
Surge protection devices must not be connected to ground points that are independent of AC ground.

### WARNING

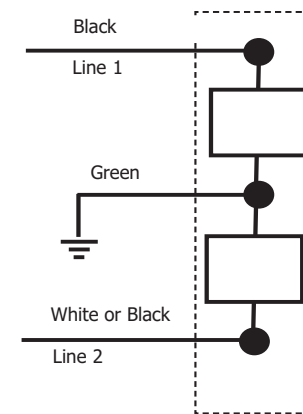
**NOTE:** The protected device/equipment should also have any data line(s) protected because it is still vulnerable to transients on these data lines. Omitting data line protection poses a continued threat of failures at the communication interface if applicable.

## MOUNTING INFORMATION

The LPP Series does not have to be securely mounted to the pole structure and can be supported by the LPP's conductors when securely fastened to the circuit lugs within the light pole.



### Schematic



**Note: LPP without overcurrent Fusing, i.e., without the “-L” suffix, shall be installed on a maximum 20-amp breaker or with in-line cartridge fuse(s).**