

SYSTEM FEATURES



- Protects sensitive electronic and electrical equipment against the harmful effects of lightning strikes and internally generated electrical transients
- Includes pre-wired pigtail conductors to streamline installation
- Fail-safe design
- Component Level Fusing (CLF) provides over-current plus thermal protection for added safety
- UL 1449 4th Edition
- Small, compact footprint - makes installation flexible
- 10-Year Unlimited Free Replacement Warranty
- Perfect for OEM applications

PRODUCT SPECIFICATIONS

GENERAL SPECIFICATIONS

Maximum Rated Surge Current: 50kA /phase
Application: ANSI/IEEE C62.41 Location C, B & A. Ideal for service entrance and branch panel applications
Design: Ultra compact, fail-safe design. Component-level fusing provides thermal and overcurrent protection.
Warranty: 10-Year Unlimited Free Replacement
Safety Listing: UL 1449 4th Ed., Type 1 SPD for Type1 & Type 2 locations. No external overcurrent protection required.
 Nominal Discharge Surge Current I_n : 20kA

ELECTRICAL SPECIFICATIONS

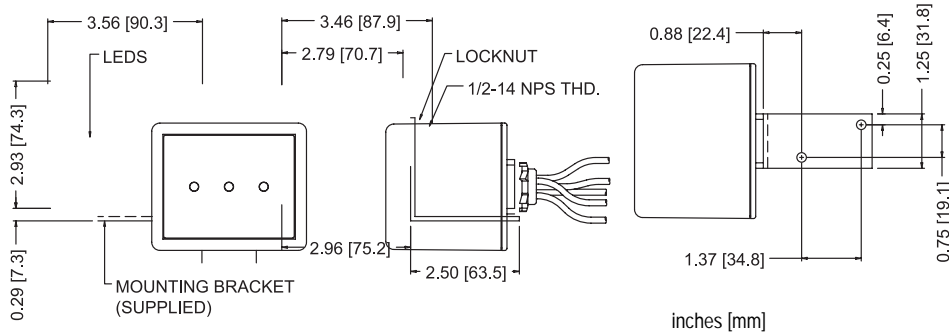
Modes of Protection: All modes. L-N, L-L, L-G & N-G
 Discreet protection: WYE L-N & N-G, DELTA L-G & L-L
Input Power Frequency: 40-440 Hz
Response Time: < 1 nanosecond
Standard Monitoring: Status indicator light (one per phase)
Short Circuit Current Rating (SCCR): 100kAIC for all units.
 Type 1 SPD's do not require any upstream over current protection, so unit can be installed direct to the bus or on any size breaker or fuse.

MECHANICAL SPECIFICATIONS

Dimensions: 2.93" H x 3.56" W x 2.79" D (74.3mm H x 90.3mm W x 70.7mm D)
Enclosure: High-impact non-metallic Nema 4X
Connection: Pre-wired with 33" (838 mm) of #12 AWG (3.31 mm²) conductor
Mounting: Comes with a threaded 1/2" (15 mm) hub for easy knockout mounting or L-shaped bracket for stand-alone wall mounting
Operating Environment: -40° C to 70° C (-40° F to 160° F); 5% to 95% non-condensing humidity
Weight: 2.00 lbs (0.90kg)

PANELTRACK STANDARD

| Model Number | Description | SPD Type 1 | Surge Rating |
|------------------|--|------------|--------------|
| TK-PK050-1P120-L | 120VAC, 1 ϕ 2-wire + grd | 1 | 50kA/phase |
| TK-PK050-1P240-L | 240VAC, 1 ϕ 2-wire + grd | 1 | 50kA/phase |
| TK-PK050-1P277-L | 277VAC, 1 ϕ 2-wire + grd | 1 | 50kA/phase |
| TK-PK050-1S240-L | 120/240VAC, 1 ϕ 3-wire + grd | 1 | 50kA/phase |
| TK-PK050-1S480-L | 277/480VAC, 2 ϕ 3-wire + grd | 1 | 50kA/phase |
| TK-PK050-3Y208-L | 120/208VAC, 3 ϕ 4-wire + grd | 1 | 50kA/phase |
| TK-PK050-3Y380-L | 220/380VAC, 3 ϕ 4-wire + grd | 1 | 50kA/phase |
| TK-PK050-3Y400-L | 230/400VAC, 3 ϕ 4-wire + grd | 1 | 50kA/phase |
| TK-PK050-3Y415-L | 240/415VAC, 3 ϕ 4-wire + grd | 1 | 50kA/phase |
| TK-PK050-3Y480-L | 277/480VAC, 3 ϕ 4-wire + grd | 1 | 50kA/phase |
| TK-PK050-3Y600-L | 347/600VAC, 3 ϕ 4-wire + grd | 1 | 50kA/phase |
| TK-PK050-3D240-L | 120/240VAC, 3 ϕ high - leg DELTA 4-wire + grd | 1 | 50kA/phase |
| TK-PK050-240NN-L | 240VAC, 3 ϕ 3-wire + grd | 1 | 50kA/phase |
| TK-PK050-380NN-L | 380VAC, 3 ϕ 3-wire + grd | 1 | 50kA/phase |
| TK-PK050-400NN-L | 380VAC, 3 ϕ 3-wire + grd | 1 | 50kA/phase |
| TK-PK050-480NN-L | 480VAC, 3 ϕ 3-wire + grd | 1 | 50kA/phase |
| TK-PK050-600NN-L | 600VAC, 3 ϕ 3-wire + grd | 1 | 50kA/phase |



AVAILABLE CONFIGURATIONS

| Model Number | System Voltage | System Configuration | Surge Rating per phase | Protection Mode | MCOV | ANSI/IEEE C62.41.1-2002, C62.41.2-2002, & C62.45-2002 | | | Voltage Protection Ratings | |
|------------------|----------------|--|------------------------|-------------------|-------------------|---|---|--|----------------------------|----------------------------|
| | | | | | | Measured Limited Voltage | | | | VPR Data UL1449 4th Ed. |
| | | | | | | All Models | All Models | All Models | | |
| | | | | | | A3 Ring Wave 6kV, 200A 90° Phase Angle | B3/C1 Impulse Wave 6kV, 3kA 90° Phase Angle | C3 Impulse Wave 20kV, 10kA 90° Phase Angle | | |
| TK-PK050-1P120-L | 120V | 1-Phase 2-wire+grnd | 50kA | L-N N-G | 150 150 | 374 476 | 629 650 | 1015 1110 | 700 700 | |
| TK-PK050-1P240-L | 240V | 1-Phase 2-wire+grnd | 50kA | L-N N-G | 320 320 | 760 767 | 1020 1020 | 1330 1400 | 1200 1200 | |
| TK-PK050-1P277-L | 277V | 1-Phase 2-wire+grnd | 50kA | L-N N-G | 320 320 | 767 774 | 1020 1070 | 1350 1370 | 1200 1200 | |
| TK-PK050-1S240-L | 120/240V | 1-Phase 3-wire+grnd | 50kA | L-N N-G | 150 150 | 374 476 | 629 650 | 1015 1110 | 700 700 | |
| TK-PK050-1S480-L | 277/480V | 2-Phase 3-wire+grnd | 50kA | L-N N-G | 320 320 | 767 774 | 1020 1070 | 1350 1370 | 1200 1200 | |
| TK-PK050-3Y208-L | 120/208V | 3-Phase WYE 4-wire+grnd | 50kA | L-N N-G | 150 150 | 450 423 | 629 650 | 953 950 | 700 700 | |
| TK-PK050-3Y380-L | 220/380V | 3-Phase WYE 4-wire+grnd | 50kA | L-N N-G | 320 320 | 762 793 | 1020 1070 | 1350 1370 | 1200 1200 | |
| TK-PK050-3Y400-L | 230/400V | 3-Phase WYE 4-wire+grnd | 50kA | L-N N-G | 320 320 | 762 793 | 1020 1070 | 1350 1370 | 1200 1200 | |
| TK-PK050-3Y415-L | 240/415V | 3-Phase WYE 4-wire+grnd | 50kA | L-N N-G | 320 320 | 767 774 | 1020 1070 | 1350 1370 | 1200 1200 | |
| TK-PK050-3Y480-L | 277/480V | 3-Phase WYE 4-wire+grnd | 50kA | L-N N-G | 320 320 | 767 774 | 1020 1070 | 1350 1370 | 1200 1200 | |
| TK-PK050-3Y600-L | 347/600V | 3-Phase WYE 4-wire+grnd | 50kA | L-N N-G | 420 420 | 790 798 | 1260 1280 | 1690 1680 | 1500 1500 | |
| TK-PK050-3D240-L | 120/240V | 3-Phase high-leg DELTA 4-wire+grnd | 50kA | L-N H-N N-G | 150 320 150 | 550 793 550 | 680 1070 680 | 1073 1370 1073 | 700 1200 700 | |
| TK-PK050-240NN-L | 240V | 3-Phase DELTA 3-wire+grnd | 50kA | L-L L-G | 300 300 | 778 799 | 1020 1020 | 1540 1587 | 1200 1200 | |
| TK-PK050-380NN-L | 380V | 3-Phase DELTA 3-wire+grnd | 50kA | L-L L-G | 640 640 | 1553 1600 | 1737 2070 | 2957 2983 | 2000 2500 | |
| TK-PK050-400NN-L | 400V | 3-Phase DELTA 3-wire+grnd | 50kA | L-L L-G | 640 640 | 1553 1600 | 1737 2070 | 2957 2983 | 2000 2500 | |
| TK-PK050-480NN-L | 480V | 3-Phase DELTA 3-wire+grnd | 50kA | L-L L-G | 640 640 | 1553 1600 | 1791 1920 | 2457 2483 | 2000 2500 | |
| TK-PK050-600NN-L | 600V | 3-Phase DELTA 3-wire+grnd | 50kA | L-L L-G | 840 840 | 1765 1835 | 2200 2590 | 2643 2657 | 2500 3000 | |

All tests performed with 6" (152 mm) lead length, positive polarity. All voltages are peak values (±10%) measured from the zero reference point at the phase angles referenced above using a 10 µs/div display rate and 500 Mega samples/sec sampling rate. Specifications subject to change without notice. See web site www.TPSSurge.com for latest revisions.