

SYSTEM FEATURES



- Provides surge protection against harmful transient voltages that exceed the nominal operating voltage of AC and DC critical dedicated control loads
- Ideal for protecting the PLC's, Building management systems, OEM & systems integration controls and other microprocessor-based loads
- Compact, fail-safe design allows flexible installation into electrical/control panels
- Dual Component-Level Fusing (CLF) standard
- Enhanced Transient Filter (ETF) standard
- 15-year Unlimited Free Replacement Warranty
- Reduce lockups, glitches and reprogramming issues

PRODUCT SPECIFICATIONS

GENERAL SPECIFICATIONS

Maximum Rated Surge Current: 40kA per phase
Application: ANSI.IEEE C62.41 Location C, B & A
Design: Ultra compact, fail-safe design with dual component-level fusing
Warranty: 15-Year Unlimited Free Replacement
Safety Listing: ETL recognized component under UL 1449 4th Edition as a type 4 SPD, cETL, and under UL1283 as an electromagnetic filter.

ELECTRICAL SPECIFICATIONS

Input Power Frequency: 47-64Hz
Maximum Continuous Operating Current: 15 amps
Modes of Discrete Suppression Circuitry:
 All modes L-N, L-G & N-G
Response Time: < 1 nanosecond
Standard Monitoring: Status indicating light
Short Circuit Current Rating: 100kAIC short circuit current rating with a 15 amp max Class T fuse, and 5kAIC with a 15 amp breaker.

MECHANICAL SPECIFICATIONS

Dimensions: 3.94"L x 2.80"W x 2.28"H
Enclosure: Polycarbonate Rated V0
Connection Method: Hard-wired via box terminals #22AWG - #12 AWG
Mounting Method: Screw down or Din-Rail mounted.
Operating Temperature: -40° C to 85° C (-40° F to 185° F)
Weight: 1.00 lbs. (0.45 kg)

Options:

Dry Relay Contacts: add suffix "-RC". Form C (N/O, N/C) relay contacts rated at 1 amp at 120VAC



LTE PERFORMANCE SPECIFICATIONS

ANSI/IEEE C62.41.1-2002, C62.41.2-2002, & C62.45-2002 Measured Limited Voltage

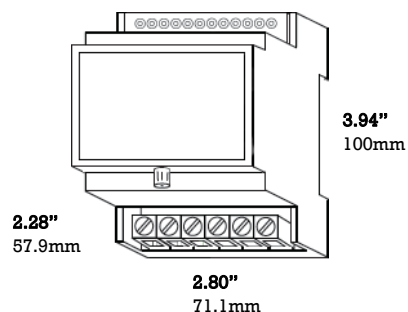
Model Number (Working Voltage)	Mode	A1 Ring Wave	A3 Ring Wave	B3/C1 Impulse Wave
		2kV, 67A 180° Phase Angle	6kV, 200A 180° Phase Angle	6kV, 3kA 90° Phase Angle
TK-LTE24-15A-DIN2 (5-30 VAC) (5-38 VDC)	L-N	28V	92V	148V
	L-G	28V	92V	188V
	N-G	28V	84V	160V
TK-LTE48-15A-DIN2 (25-50 VAC) (24-65 VDC)	L-N	28V	96V	164V
	L-G	28V	96V	188V
	N-G	28V	92V	164V
TK-LTE120-15A-DIN2 (48-150 VAC) (48-200 VDC)	L-N	28V	108V	444V
	L-G	28V	104V	440V
	N-G	24V	100V	456V
TK-LTE250-15A-DIN2 (120-260 VAC) (120-300 VDC)	L-N	28V	96V	744V
	L-G	32V	96V	828V
	N-G	28V	100V	772V

All voltages are peak values (+10%) from the zero reference point at the phase angles referenced above using a 10 µs/div display rate and 500MS/s sampling rate. Specifications subject to change without notice, see web site www.tpsurge.com for latest revisions.

EMI/RFI FILTER ATTENUATION—MIL STANDARD

Frequency	Attenuation
1kHz	2dB
10kHz	13dB
100kHz	31dB
1MHz	32dB
10MHz	20dB
20MHz	15dB
Max. attenuation	33dB @ 500kHz

All measurements in inches [mm]



For Technical Support

TEL: 800-647-1911 www.TPSSurge.com